



# ACROSS-THE-LINE AND INTERFERENCE SUPPRESSION

## CAPACITOIIR CLASS X1

### X1 電容器

#### FEATURE 特點

- \* Provides interference suppression , All safety approval
- \* Overvoltage stress withstanding
- \* Self-healing properties
- \* Active and passive flame retardent

#### APPLICATION 用途

- \* Ideal for use in line bypass , antenna coupling , Across-the-line and spark killer circuits.
- \* Available for EMI filter.
- \* Switching power supply applications.
- \* Business machines appliances , such sa; typewriters , adding machines , computer displays And monitors.
- \* Household appliances , such as: mixers , fans , Coffee grinders audio and TV circuits.
- \* Thyristor and triac appliances , such as: dimmers

#### SPECIFICATIONS 技術要求

Dielectric 介質	Polypropylene/Polyester film 聚丙烯(聚脂)薄膜
Electrodes 電極	Vacuum evaporated metal 真空蒸金屬
Coating 包封	Encapsulated in reinforced flame retardant plastic case sealed with epoxy resin meeting the requirement of UL94V-0 阻燃盒子并以環氧樹脂灌封
Leads 導線	Radial leads of tinned wire 徑向鍍錫導線
Reference Standard 引用標準	IEC 384-14(2nd Edition,1993)
Climatic Catalogue 氣候類別	40/85/21(GPF) 40/100/21(GMF)
Capacitance versus Rated Voltage(U <sub>R</sub> ) 靜電容量與額定電壓	300VAC(50/60HZ) 0.0047μF-10μF
Capacitance Tolerance 靜電容量誤差	M=±20% K=±10% J=±5%
Dissipation Factor(Tangent of Loss) 散逸因素(損耗角正切)	≤0.1%(PP) ≤1.0%(PE) (at 20°C,1KHZ)
Voltage Proof 耐電壓	4.3*U <sub>R</sub> (1 minute at 20°C)
Insulation Resistance 絕緣電阻	C≤0.33μF IR≥15,000MΩ C>0.33μF IR*C≥5,000ΩF (1 minute at 20°C and RH≤65%)
Endurance 耐久性	The test voltage 344VAC shall be applied for 1000 hours in the 85°C chamber. During this period,1000VAC 60HZ for 0.1sec be applied once each hour.After the Test: 85°C 試驗溫度下,344V 交流電壓 1000 小時,試驗過程中,1000V 交流電壓(60HZ),每一小時施加 0.1s。試驗完成後 C/C ≤10%; DF ≤0.04%(PP); DF ≤0.20%(PE);IR≥50% of the Specified value

#### SPECIFICATIONS 認證通過文件及引用標準



Sweden 瑞典  
SS4430414

963502601



SWITZERLAND 瑞士  
SEV 1055/1978

97.7 700887,01



Norway 挪威  
NEMKO 132/85

NO.P96102285



U.S.A 美國  
UL1414,UL1283

E152288(N)



DENMARK 丹麥  
staerkst.reg1 1962/21

305888



GERMANY 德國  
VDE 565 Teil 1/12.79

94733



FILAND 芬蘭  
E384/14-93

192032-01



CANADA 加拿大  
C22.2 No.1-1994

LR108534-1

CB

IEC 384-14:93  
+AM1:95

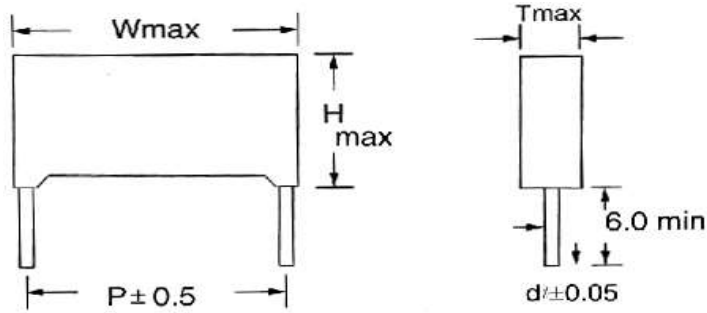
No.2848



CHINA 中國 CCEE  
GB/T14472-93

CH0023877-98

## OUTLINE DRAWING 外形圖



## DIMENSION 尺寸

單位 Unit:mm

符號 SYMBOL	$\mu\text{F}$	W	H	T	P	d $\emptyset$	符號 SYMBOL	$\mu\text{F}$	W	H	T	P	d $\emptyset$	符號 SYMBOL	$\mu\text{F}$	W	H	T	P	d $\emptyset$
472	0.0047	13.0	11.0	5.0	10	0.8	274	0.27	26.5	16.5	7.0	22.5	0.8	155	1.5	31.5	25.0	14.0	27.5	0.8
103	0.010	18.0	10.0	5.0	15	0.8	334	0.33	170	16.5	9.5	15.0	0.8	155	1.5	37.0	24.0	13.5	32.5	0.8
153	0.015	18.0	10.0	5.0	15	0.8	334	0.33	26.5	16.5	7.0	22.5	0.8	225	2.2	37.0	26.5	16	32.5	0.8
223	0.022	17.0	11.0	5.5	15	0.8	394	0.39	26.5	170	8.5	22.5	0.8	275	2.7	37.0	28.5	18	32.5	0.8
333	0.033	18.0	10.0	5.0	15	0.8	474	0.47	17.0	19.0	11	15.0	0.8	335	3.3	37.0	34	22	32.5	0.8
473	0.047	18.0	10.0	5.0	15	0.8	474	0.47	26.5	17.0	8.5	22.5	0.8	335	3.5	51.0	27.5	17.5	47.5	0.8
563	0.056	18.0	10.0	5.0	15	0.8	564	0.56	26.5	19.0	10	22.5	0.8	395	3.9	37	34	22	32.5	0.8
683	0.068	18.0	10.0	5.0	15.0	0.8	684	0.68	26.5	19.0	10	22.5	0.8	395	3.9	51	27.5	17.5	47.5	0.8
823	0.082	17.0	11.0	5.0	15.0	0.8	824	0.82	31.5	20.0	11	27.5	0.8	475	4.5	51	30.5	20	47.5	0.8
104	0.10	13.0	12.0	6.0	10.0	0.	105	1.0	25.0	23.5	14	22.5	0.8	565	5.6	51	34	22.5	47.5	0.8
104	0.10	17.0	11.0	5.5	15.0	0.8	105	1.0	30.0	21.0	11	27.5	0.8	685	6.8	51	34	22.5	47.5	0.8
154	0.15	18.0	13.5	6.0	15.0	0.8	105	1.0	37.0	24.0	13	32.5	0.8	755	7.5	51	37	24	47.5	0.8
224	0.22	17.0	15.5	7.5	15.0	0.8	125	1.2	31.5	25.0	14	27.5	0.8	825	8.2	51	37	24	47.5	0.8
224	0.22	25.0	14.5	6.0	22.5	0.8	125	1.2	37.0	24.0	13	32.5	0.8	106	10	51	43.5	29	47.5	0.8